

600 SERIES DIESEL



The most powerful system for the most luxurious diesel motorhomes.

- Bay Heating
- Diesel Engine Preheating
- Tankless, Continuous Hot Water
- Quiet, Comfortable Cabin Heat

Part Number	Model	Fuel	Electric Elements	Interior Heat (Max)	Hot Water (gpm)	Engine Preheating	Size	Weight
AHE-675-D04	675D	Diesel	(1) 120 V ac 2000 W (1) 240 V ac 4500 W	12 Emitters 72,000 Btu/h	2.0	Yes	18.5"H 18.5"W 36.75"L	186 lb (empty) 303 lb (full)
AHE-600-D04	600D	Diesel	(2) 120 V ac 2000 W	12 Emitters 64,000 Btu/h	2.0	Yes	18.5"H 18.5"W 36.75"L	186 lb (empty) 303 lb (full)

Simplified For On-The-Line Productivity, Owner Experience and Fast Servicing

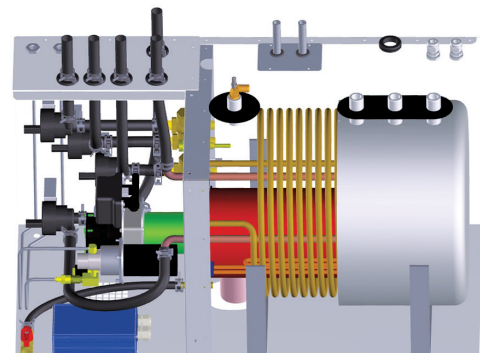
Single, Self-Contained Unit: Delivers residential-style interior heating with the ability to deliver a luxurious supply of continuous hot water at 110°F-120°F at a rate of 2.0 gallons per minute. It's just like home.

Clean installation: Eliminated domestic water connection compression fittings; added quick-connect electrical connections.

Owner-friendly diagnostics: Touch screen Reporter monitors coach and Aqua-Hot, providing real-time info to coach owners & service technicians.

Compatible with RV-C or I/O Controls.

TribridHot Technology: Three sources of energy for heating comfort. Engine heat while driving, AC shore powered dual electric elements, and diesel fuel burner.



600 SERIES

Low/High Electrical Settings save fuel by providing enough electrical power for most all heating and hot water needs when shore power is available.



Aqua-Hot systems are certified for safe use in households, mobile homes and recreational vehicles in the United States and Canada by ETL (Intertek Testing Services)



Aqua-Hot Heating Systems Inc. 7501 Miller Dr. Frederick, CO 80504

Phone: 303-651-5500 Toll Free: 800-685-4298 Fax: 303-651-5699 www.aquahot.com

RV-S-002-D